

Model TJAR Air Release Valve EMEA and APAC Only

IMPORTANT

Refer to Technical Data Sheet TFP2300 for warnings pertaining to regulatory and health information.

Scan the QR code or enter the URL in a web browser to access the most up-to-date electronic version of this document. Data rates may apply.



docs.jci.com/tycofire/tfp1565

General Description

The TYCO Model TJAR Air Release Valve is an auxiliary releasing device that releases accumulated air in sprinkler piping systems during operation.

The air release valve is designed for use with TYCO Wet System Valves. The valve assembly is described in Figure 1.

NOTICE

The Model TJAR Air Release Valve described herein must be installed and maintained in compliance with this document, as well as with the applicable standards of the NATIONAL FIRE PROTECTION ASSOCIATION (NFPA), in addition to the standards of any authorities having jurisdiction, such as FM Global. Failure to do so may impair the performance of these devices.

The owner is responsible for maintaining their fire protection system and devices in proper operating condition. Contact the installing contractor or product manufacturer with any questions.

In all cases, the appropriate NFPA or FM Global installation standard, or other applicable standard, must be referenced to ensure applicability and to obtain complete installation guidelines. The general guidelines in this data sheet are not intended to provide complete installation criteria.

Technical Data

Approvals
FM Approved

System Connection
1/2 in. NPT Male
1 in. NPT Male

Maximum Working Pressure
200 psi (13,8 bar)

Physical Characteristics
See Figure 1

Operation

The TYCO Model TJAR Air Release Valve, as shipped, is a normally open valve.

As the host system of the air release valve is filling, air is vented through the small orifice. When the fluid enters the valve, the float raises and shuts off the orifice, preventing any leakage. As air accumulates and enters the valve, displacing fluid - the float drops, allowing the venting orifice to open.

This cycle is repeated as often as necessary during the pumping cycle.



Installation

The TYCO Model TJAR Air Release Valve must be installed according to the following requirements:

- The air release valve must be located in a vertical position at a high point on a piping system.
- The valve inlet must face downwards.
- A shut-off valve should be installed below each valve in the event servicing is required.
- A drain line is recommended, as the valve may *spoil* a small amount of fluid during venting.

Venting Air during Initial Start-up

To vent air quickly during initial start-up, remove the 1/2 in. pipe plug in the cap of the air vent.

Note: *If TEFLON tape is used to form the seal on the inlet piping, prevent the excess tape from entering the valve. The excess tape could interfere with proper venting or sealing of the valve.*

No.	Description	Material	No.	Description	Material	No.	Description	Material
1	Plug	Stainless Steel SS304	7	Pin	Stainless Steel SS304	13	Ball	Stainless Steel SS304
2	Bonnet	Ductile Iron ASTM A536	8	Arm	Stainless Steel SS304	14	Body	Ductile Iron ASTM A536
3	Sealing Seat	Bronze	9	Sealing Plug	VITON	15	Bolt	Steel
4	Sealing Washer	VITON/EPDM rubber	10	Bolt	Steel	16	Spring Washer	Steel
5	Yoke	Stainless Steel SS304	11	Screw	Stainless Steel SS304	17	Flat Washer	Steel
6	O-Ring	VITON/EPDM	12	Snap Ring	Stainless Steel SUS201			

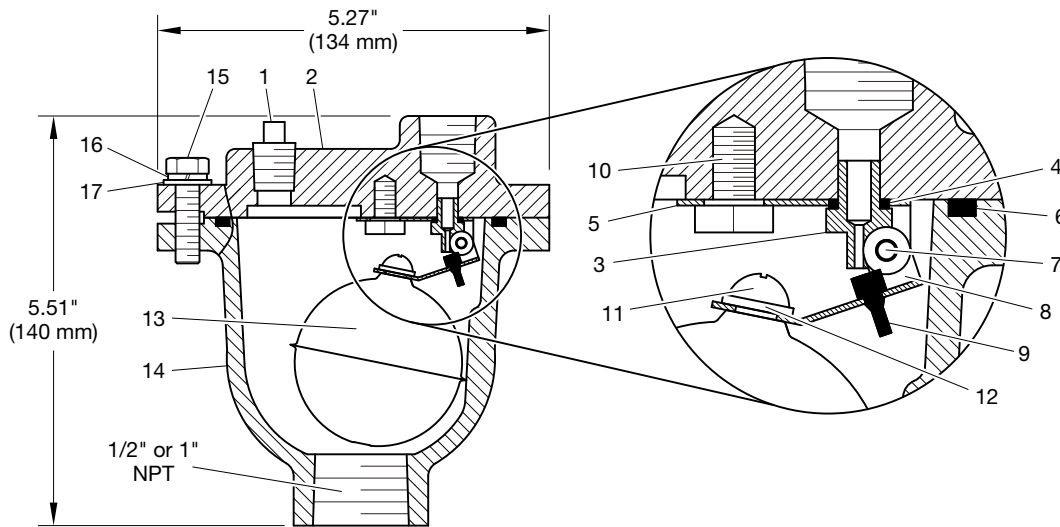


FIGURE 1
MODEL TJAR AIR RELEASE VALVE ASSEMBLY

Care and Maintenance

The TYCO Model TJAR Air Release Valve must be maintained and serviced in accordance with this section.

Before closing a fire protection system main control valve for maintenance work on the fire protection system that it controls, obtain permission to shut down the affected fire protection system from the proper authorities and notify all personnel who may be affected by this decision.

After placing a fire protection system in service, notify the proper authorities and advise those responsible for monitoring proprietary and/or central station alarms.

The owner is responsible for the inspection, testing, and maintenance of their fire protection system and devices in compliance with this document, as well as with the applicable standards of the NFPA such as NFPA 25, in addition to the standards of any authority having jurisdiction. Contact the installing contractor or product manufacturer with any questions.

It is recommended that automatic sprinkler systems be inspected, tested, and maintained by a qualified inspection service.

No regular maintenance is necessary for the air release valve; however, periodic inspection for leakage and function is recommended.

Inspecting the Air Release Valve

Step 1. Close the inlet service valve and slowly remove the 1/2 in. (12,7 mm) pipe plug.

Step 2. Check the water level within the valve.

Note: *The water level should be lower than the opened drain plug. If not, the valve may not be functioning properly.*

Step 3. If the water level is lower than the opened drain plug, remove the valve. Inspect the valve for wear and/or possible damage from foreign matter.

Limited Warranty

For warranty terms and conditions, visit www.tyco-fire.com.

Ordering Procedure

Contact your local distributor for availability. When placing an order, indicate the full product name and part number (P/N).

Model TJAR Air Release Valve
 Specify: Model TJAR Air Release Valve, size (specify), P/N (specify)

1/2 in. NPT 597001005
 1 in. NPT 597001010