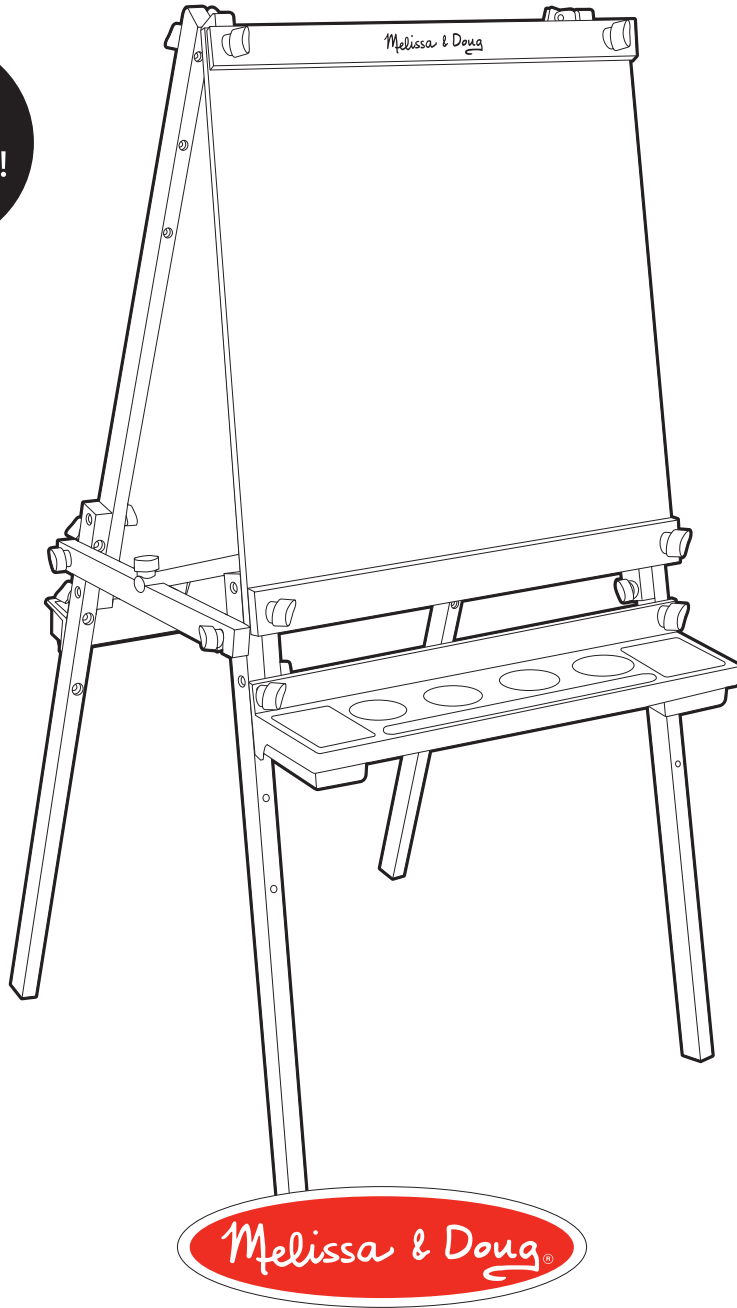




Deluxe Art Easel

ASSEMBLY INSTRUCTIONS

Put Together in 8 Steps!



Have a question or need help? Give us a call! 1-800-284-3948

Item #1282/#2001/#2236

We care about your comments. Please call us!

Melissa & Doug
1-800-284-3948
www.MelissaAndDoug.com

Melissa & Doug products meet or exceed U.S. testing standards and pass our high quality requirements.

© Melissa & Doug, LLC, P.O. Box 590, Westport, CT 06881

MADE IN CHINA

WARNING:
CHOKING HAZARD - Small Parts.
Not for children under 3 years.

CAUTION:
ADULT ASSEMBLY REQUIRED.

THANK YOU!

Thank you for choosing the Melissa & Doug Deluxe Art Easel! It's a terrific way to help nurture a child's creativity and imagination, and to inspire artistic exploration for years to come.

NOW IT'S TIME TO PUT IT TOGETHER!

Don't worry—assembling your new easel is simple, and we're here to help. It may go a little faster with a partner to lend a hand, but we've made it so one person can assemble the easel. Here are a few tips before you begin:

- Read through all the instructions first.
- We've included everything you need. All parts are labeled with a lettered sticker (A-K). Clear a flat, covered space (carpeted is best) to lay out all the materials so everything is close at hand.
- The instructions include lots of helpful pictures—we show you, step-by-step, exactly how to align pieces and parts for speedy and accurate assembly. Note that hardware needed for each step is shown in the upper right corner of the page, each piece being added in a given step is highlighted in gray, and the “assembled view” (what it looks like when the step is completed) is included in the lower right corner of every page.
- In the instructions, the name of a part is followed by a letter in parentheses. This letter corresponds to the sticker on the part, as well as the picture of the part shown on page 2.
- Helpful hints are highlighted with a large exclamation point:

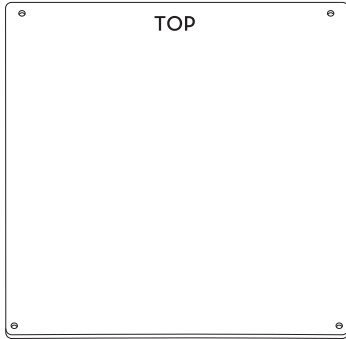


IMPORTANT: Helpful hints are found here.

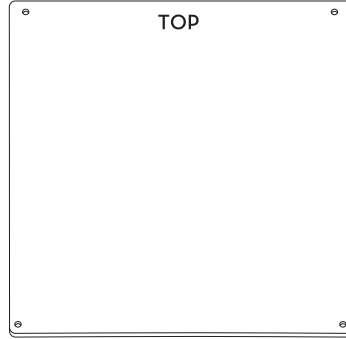
- If you have any questions, we're here for you! Give our customer service team a call at 1-800-284-3948!
-

PARTS - Be Smart—Sort Your Parts

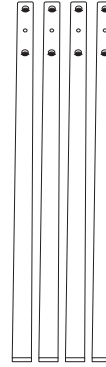
Before you begin assembly, make sure you have all the parts listed below. When directed, use the Allen wrench (part O) to attach the bolts to bolt caps.



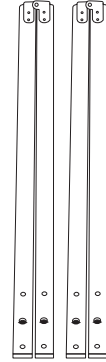
A dry-erase board



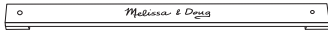
B chalkboard



C lower legs (4)



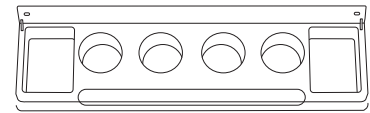
D upper hinged legs (2)



E paper guide/cutter



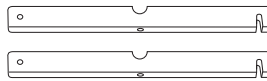
H paper roll dowel



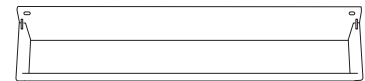
J blue plastic tray



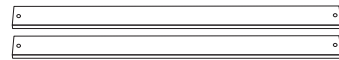
F upper art board frame with logo



I leg braces (2)

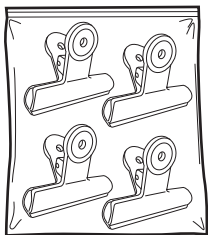


K red plastic tray



G lower art board frames (2)

HARDWARE & TOOLS



L plastic clips (4)

We care about your comments. Please call us!

Melissa & Doug
1-800-284-3948
www.MelissaAndDoug.com

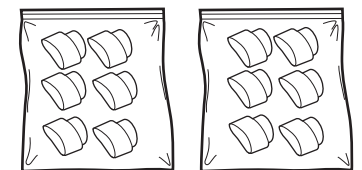
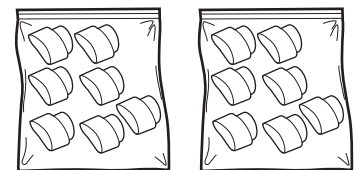
Melissa & Doug products meet or exceed U.S. testing standards and pass our high quality requirements.

© Melissa & Doug, LLC, P.O. Box 590, Westport, CT 06881

O Allen wrench

N long bolts (6)

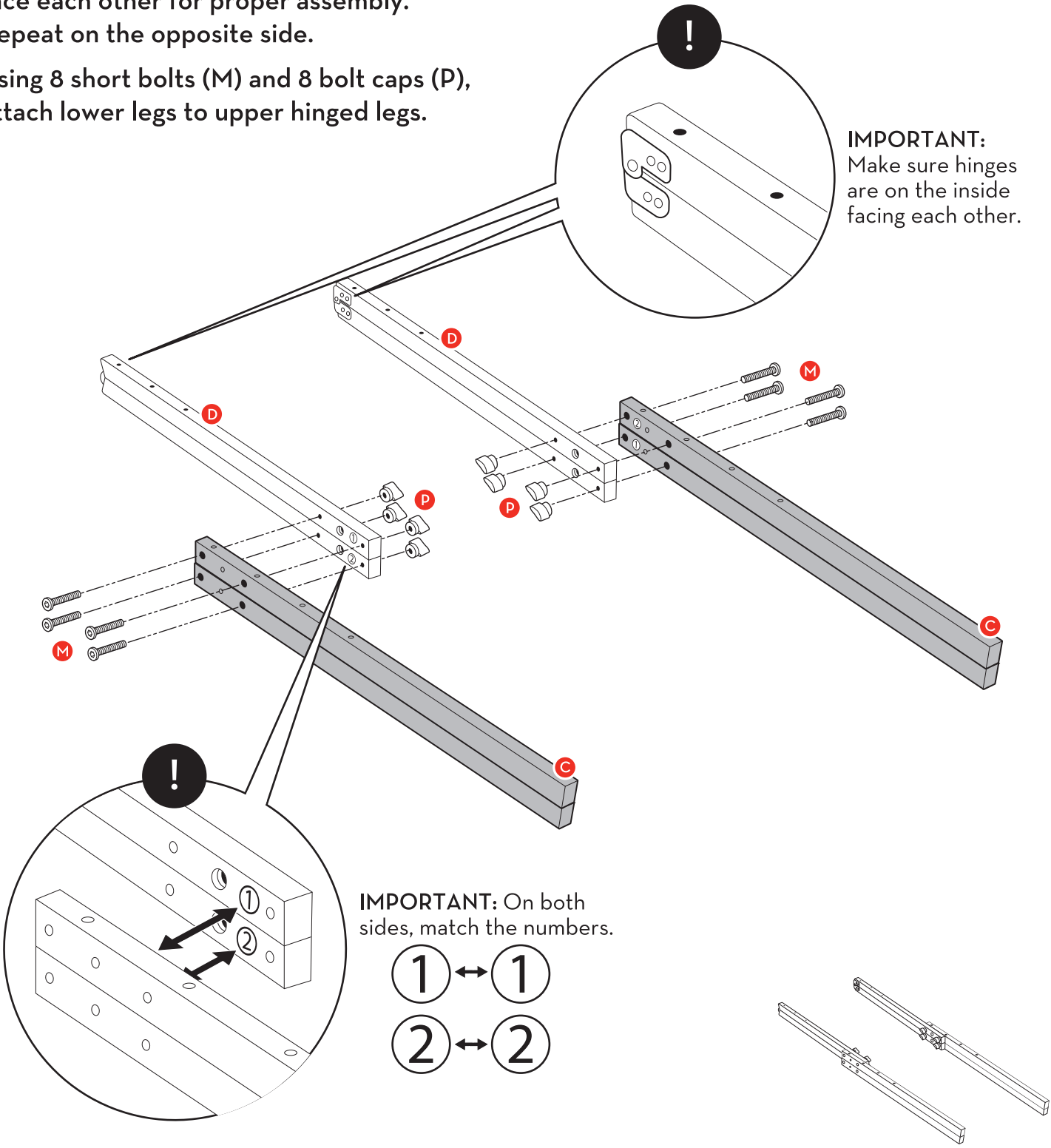
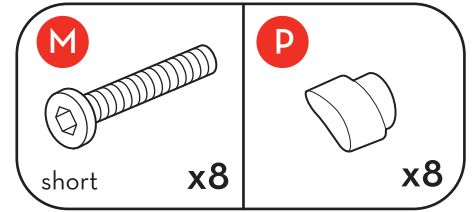
M short bolts (20)



P Bolt Caps (26)

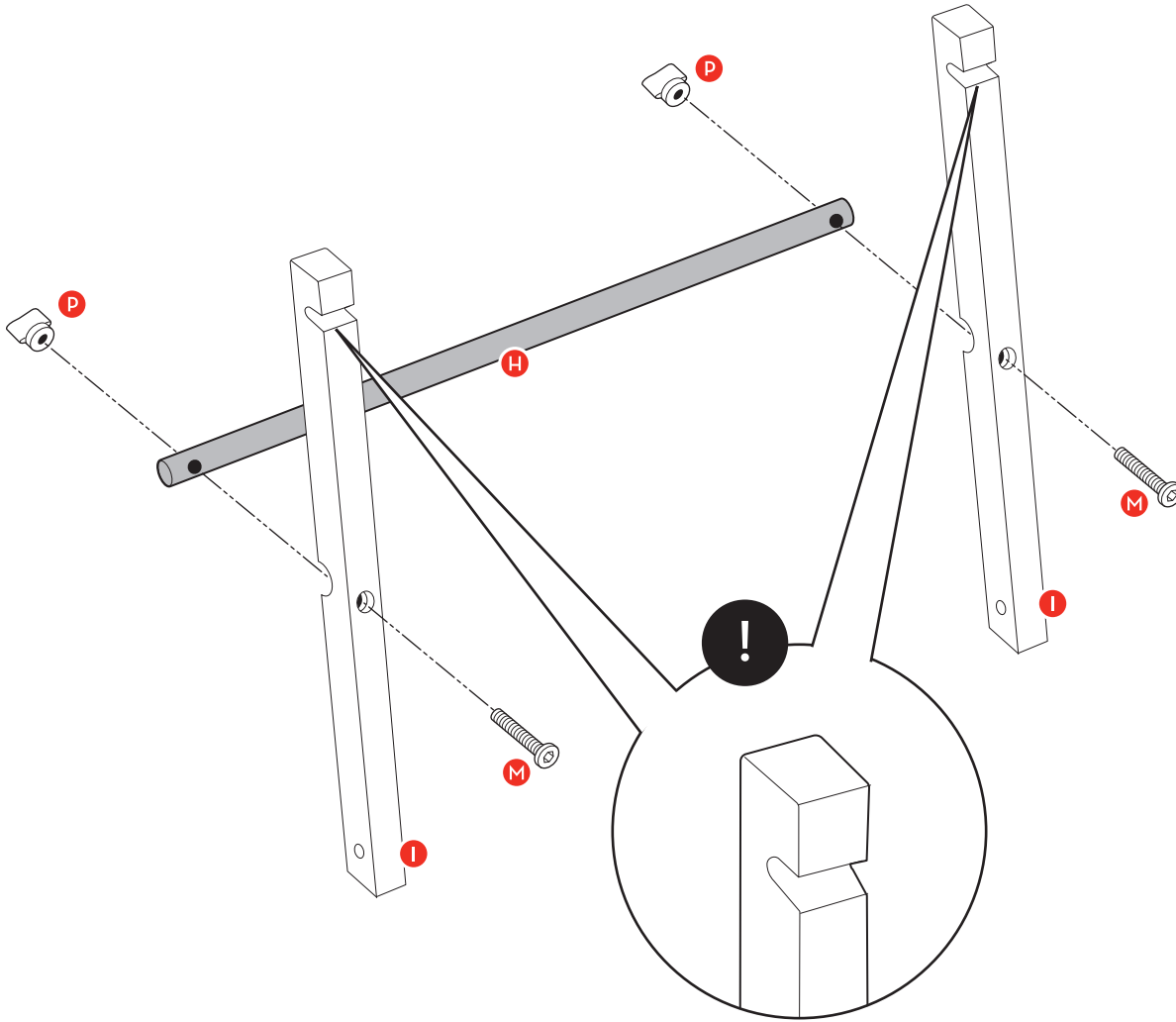
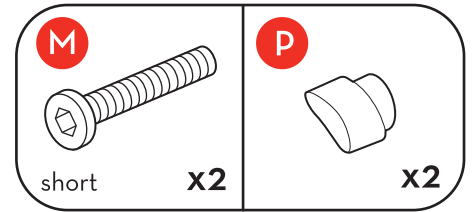
STEP 1 - Get a Leg Up

- Stack 2 lower legs (C) on top of each other, then align them with the holes on the upper hinged leg (D). Make sure numbers on the upper legs and lower legs match and face each other for proper assembly. Repeat on the opposite side.
- Using 8 short bolts (M) and 8 bolt caps (P), attach lower legs to upper hinged legs.

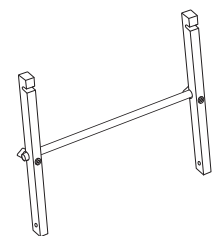


STEP 2 - Keep on Rolling

Using 2 short bolts (M) and 2 bolt caps (P), attach the paper roll dowel (H) to the leg braces (I).



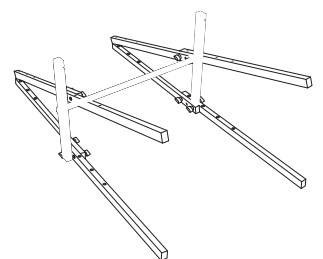
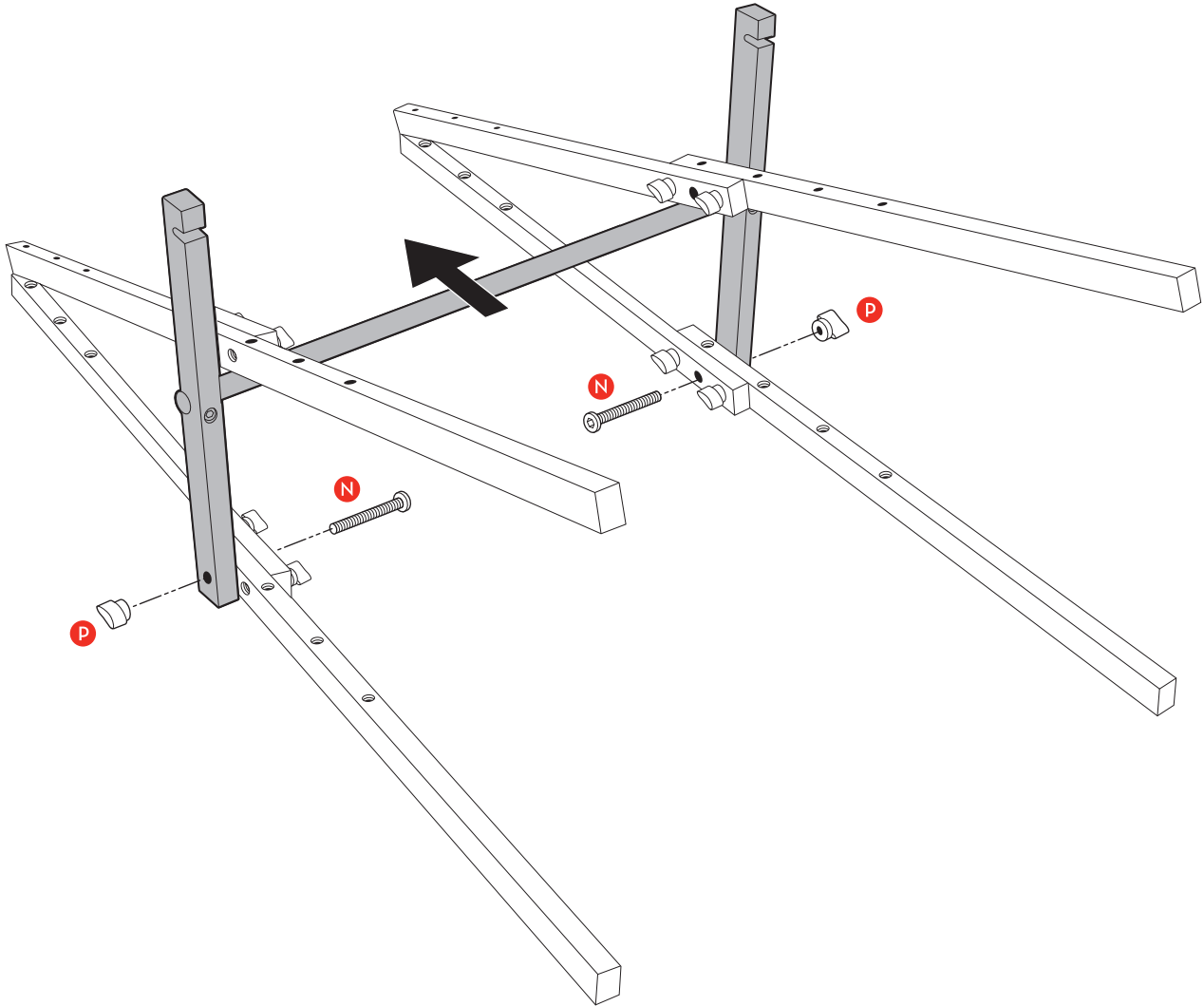
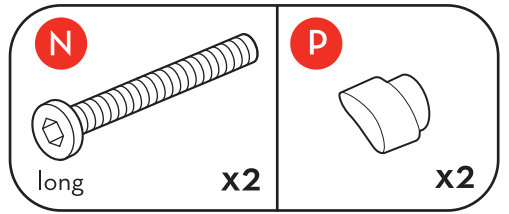
IMPORTANT: Make sure U-channels are facing the same direction.



Assembled View

STEP 3 - Brace Yourself

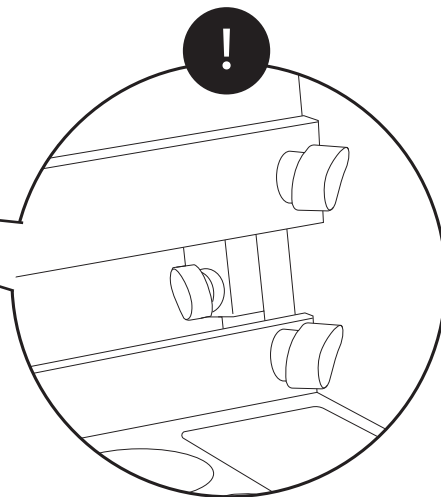
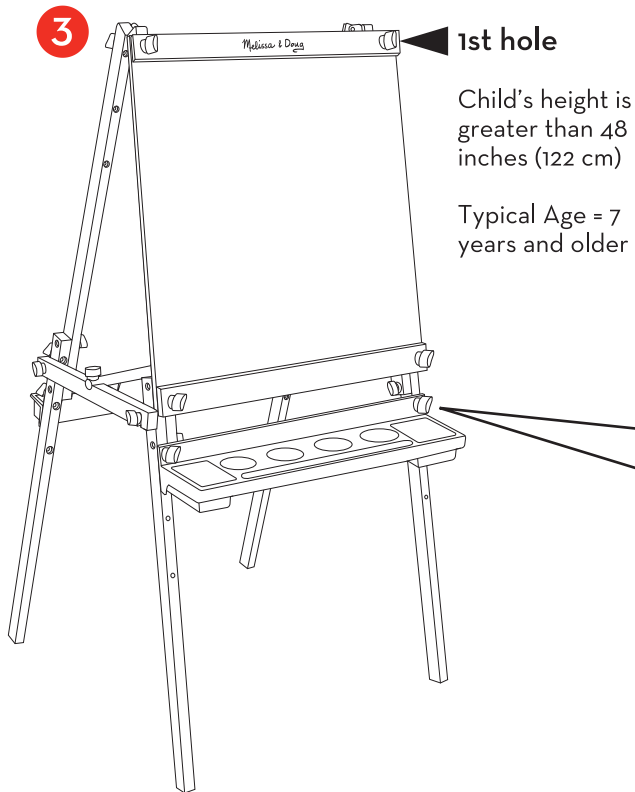
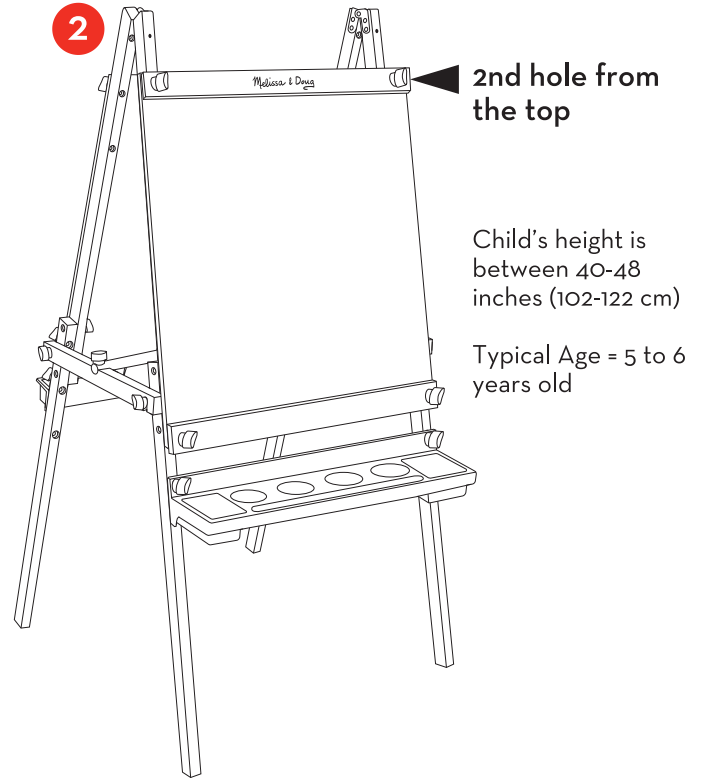
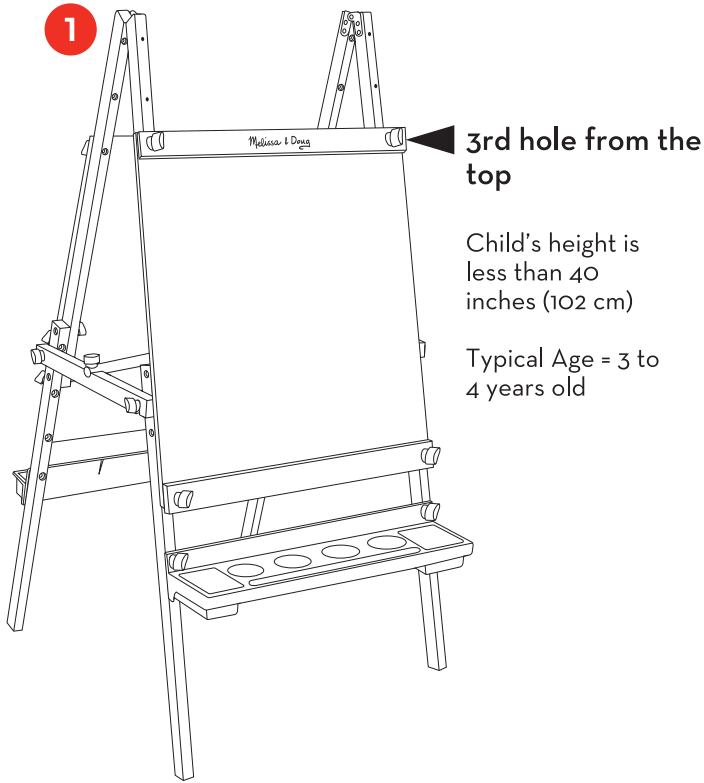
Slide the leg brace assembly (H & I) into place. Using 2 long bolts (N) and 2 bolt caps (P), fasten one end of the leg brace assembly to both sides of the easel.



Assembled View

HEIGHT SUGGESTIONS - Small or Tall?

The height of the Deluxe Art Easel can easily be adjusted as young artists grow. Choose the height that works best for your child.

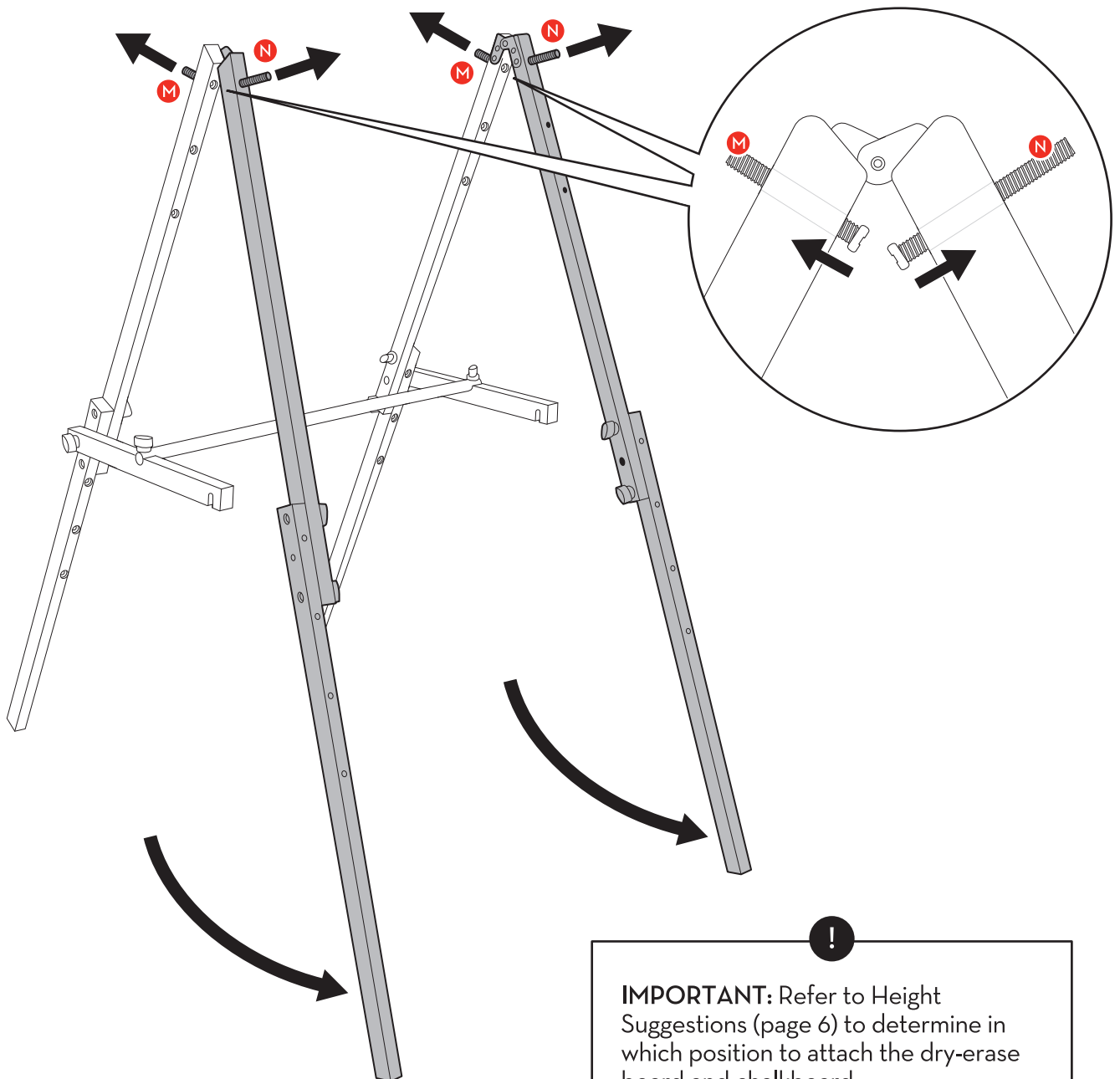
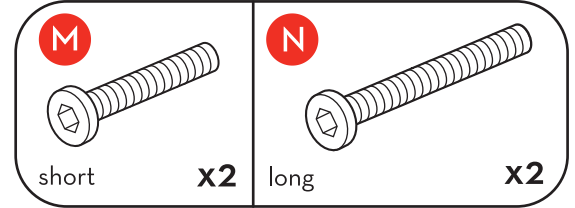


IMPORTANT: Place the tray one hole below the art panel.

If you want to position the art boards in the middle or lower positions, skip now to Step 5

STEP 4 - Top Notch

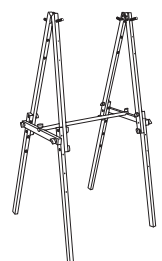
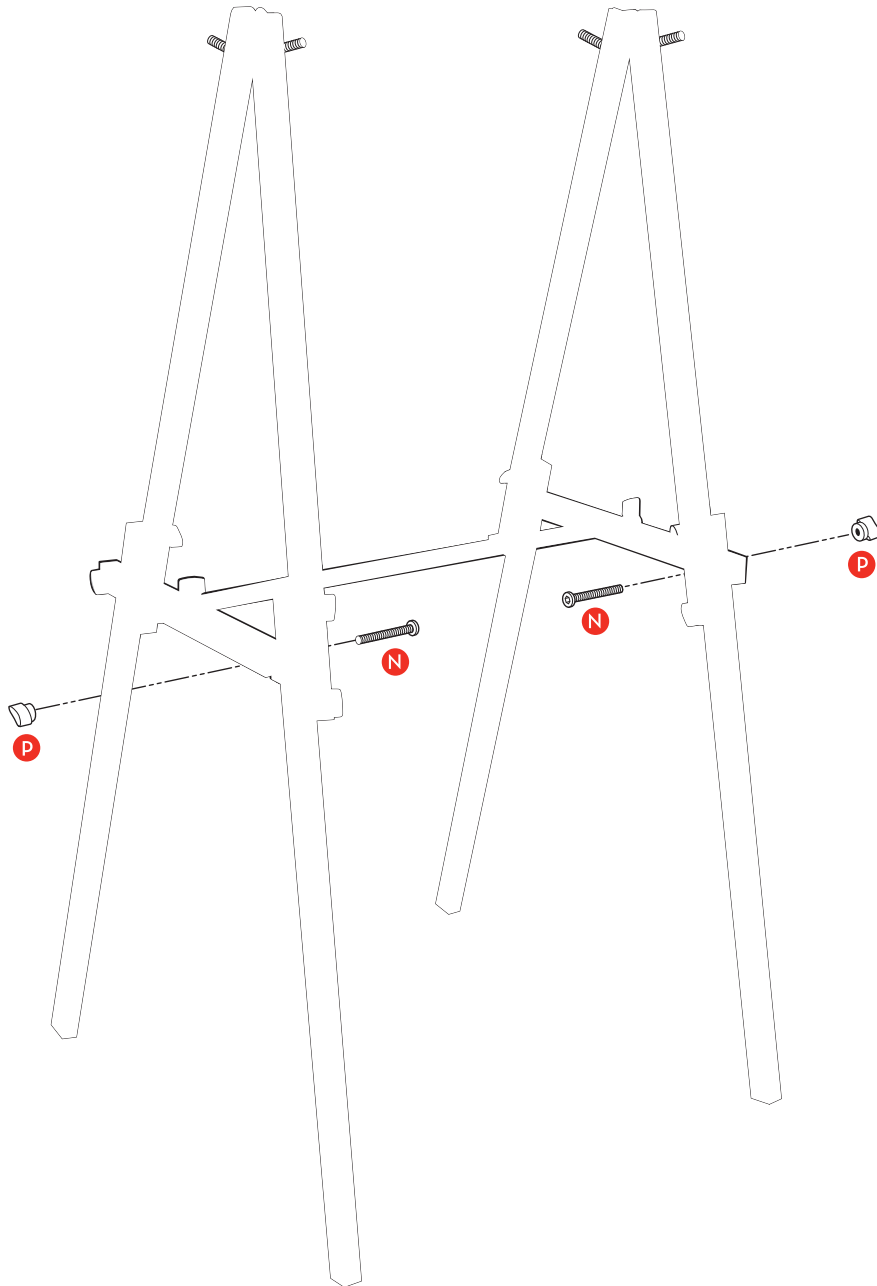
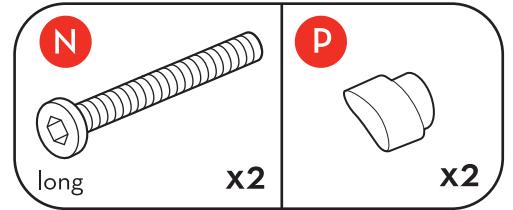
- Stand the easel up and slightly open the legs. Insert 2 long bolts (N) into the highest position holes on the easel's legs. This side will hold the dry-erase board.
- Insert 2 short bolts (M) into the highest position holes on the easel's back legs. This side will hold the chalkboard.



IMPORTANT: Refer to Height Suggestions (page 6) to determine in which position to attach the dry-erase board and chalkboard.

STEP 5 - Out-Standing

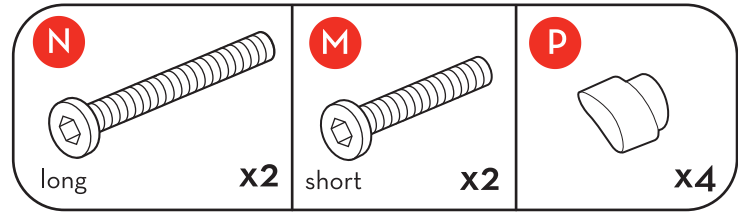
Using 2 long bolts (N) and 2 bolt caps (P), attach remaining sides of the leg braces to the easel's legs.



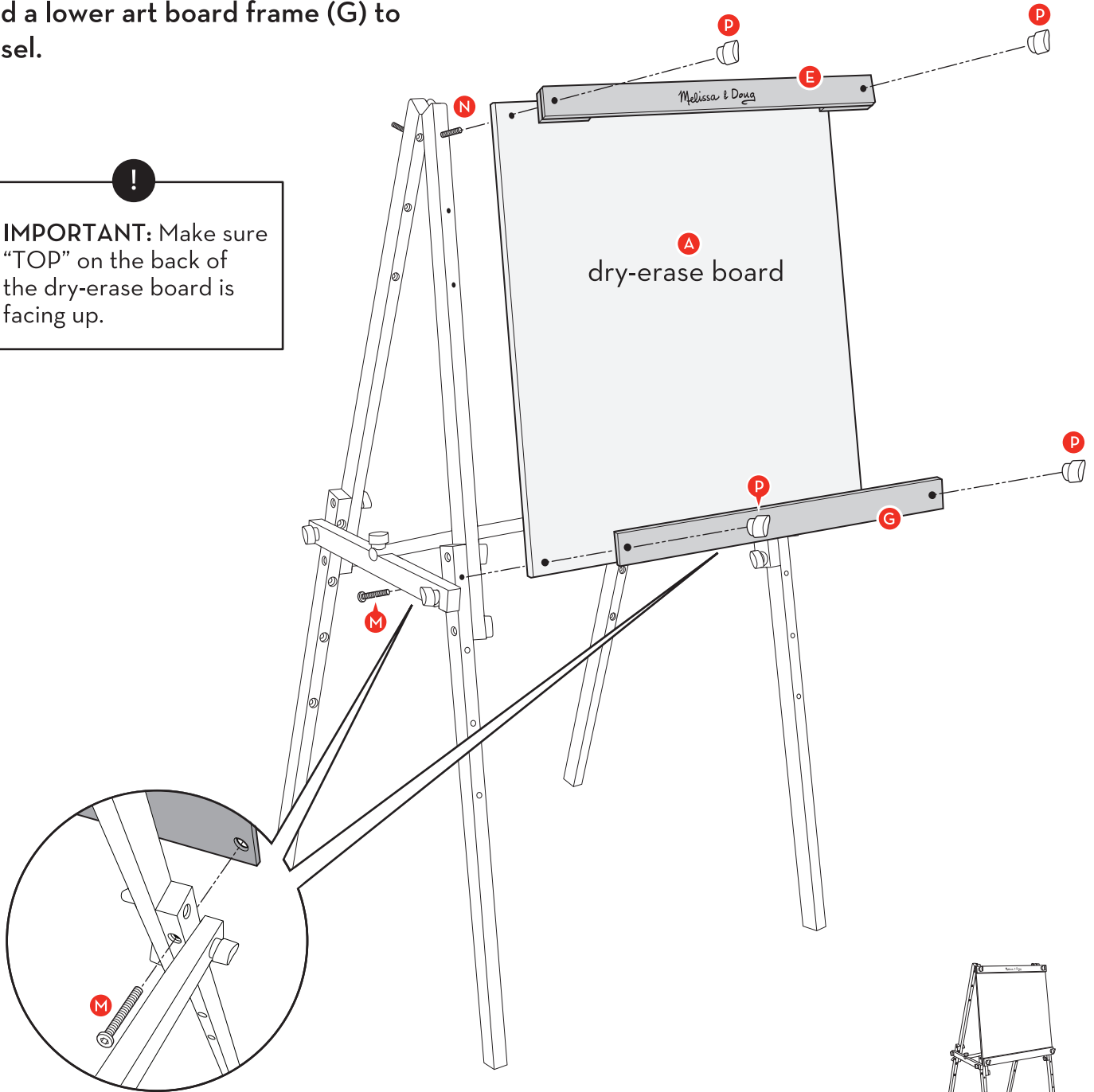
Assembled View

STEP 6 - Never Be "Board"

- Using 2 long bolts (N) (already in place if mounting in highest position) and 2 bolt caps (P), attach top of dry-erase board (A) and paper guide/cutter (E) to easel.
- Using 2 short bolts (M) and 2 bolt caps (P), attach bottom of dry-erase board and a lower art board frame (G) to easel.

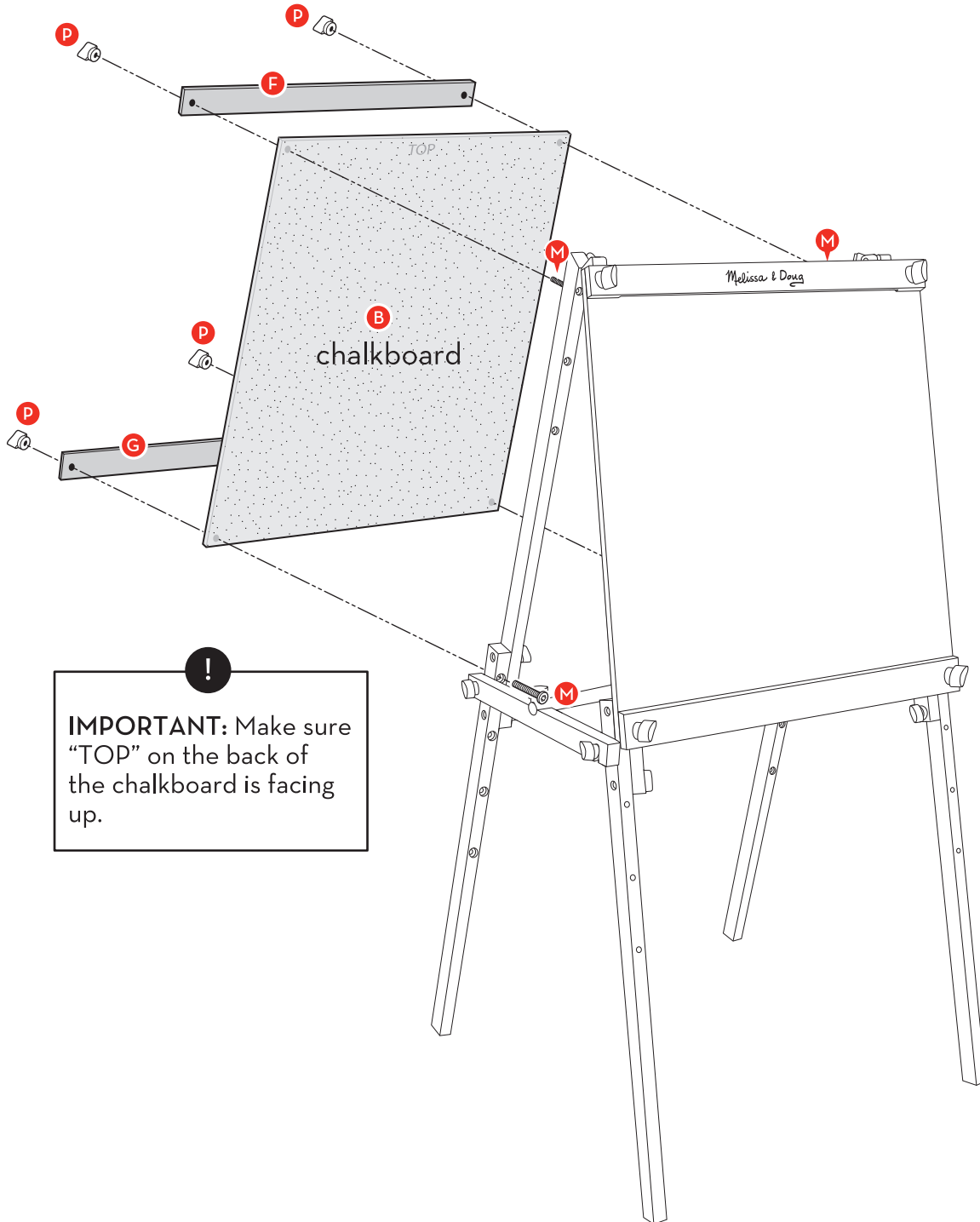
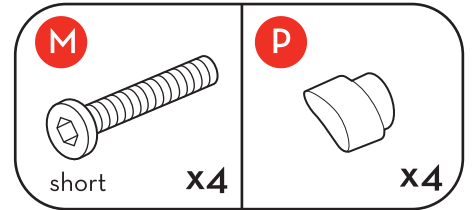


!
IMPORTANT: Make sure "TOP" on the back of the dry-erase board is facing up.

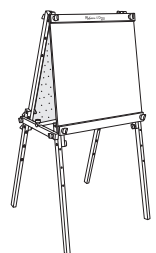


STEP 7 - Start With a Clean Slate

- Using 2 short bolts (M) (already in place if mounting in highest position) and 2 bolt caps (P), attach top of chalkboard (B) and upper art board frame (F) to easel.
- Using 2 short bolts (M) and 2 bolt caps (P), attach bottom of chalkboard and a lower art board frame (G) to easel.



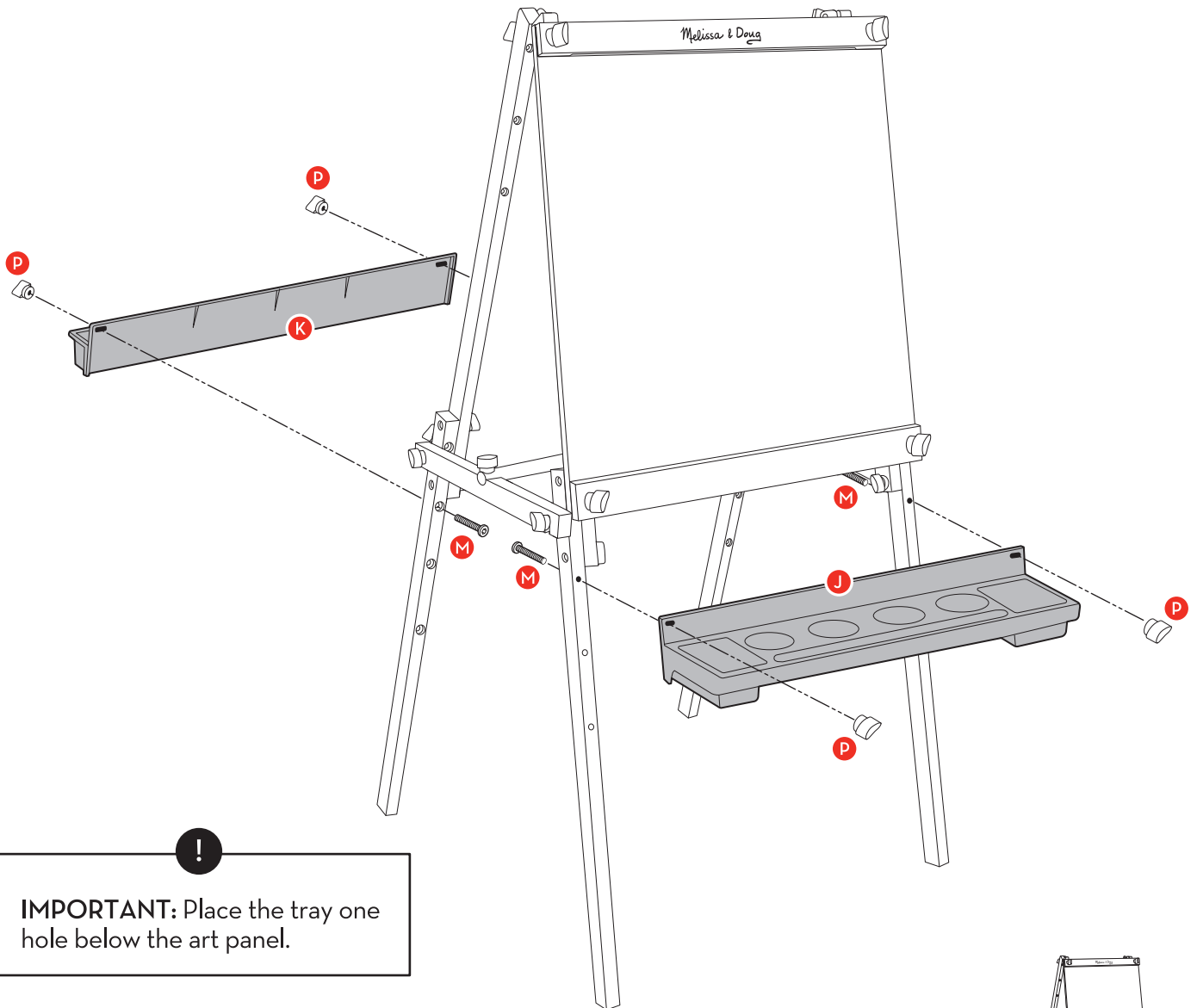
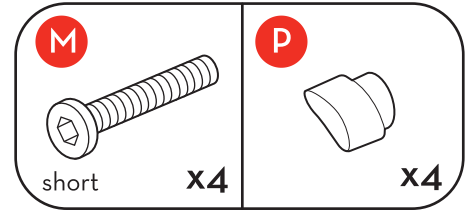
!
IMPORTANT: Make sure
"TOP" on the back of
the chalkboard is facing
up.



Assembled View

STEP 8 - "Tray" Bien! It's the End

- Using 2 short bolts (M) and 2 bolt caps (P), attach blue tray (J) to dry-erase board side of the easel.
- Using 2 short bolts (M) and 2 bolt caps (P), attach red tray (K) to chalkboard side of the easel.



!
IMPORTANT: Place the tray one hole below the art panel.



Assembled View

YOU DID IT!

Now the real fun begins—it's time to paint, draw, and create! Here are some tips for making the most of the Deluxe Art Easel:

DRY-ERASE BOARD

- Only use markers (not included) specially formulated for use on dry-erase surfaces. Permanent markers will damage the dry-erase surface.
 - Clean the board with a felt eraser or dry paper towel.
-

FOLD FLAT FOR STORAGE

- Unscrew the bolt caps to remove the paper roll.
 - Reattach the dowel to the easel.
 - Lift leg brace assembly to fold easel.
-

THERE ARE LOTS OF WAYS TO PLAY! HERE ARE A FEW IDEAS:

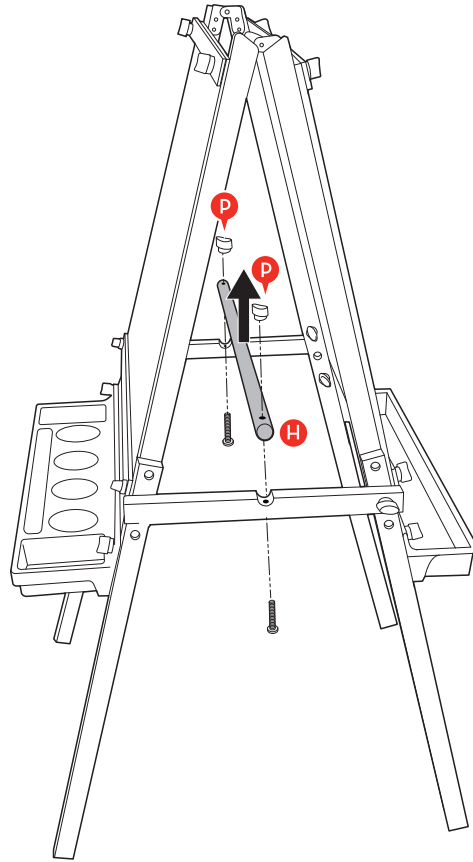
- Use the clips to hang paintings to dry or to display artwork!
- Give clues and have the child draw what you describe, and then switch and draw what the child describes to you—get ready for some silliness!
- Draw a shape on the dry-erase board while the child draws a shape on the chalkboard. Switch sides. Add a shape or line to the child's drawing while the child adds a shape or line to yours. Continue switching sides adding to each other's drawings until you both agree the masterpieces are complete!
- Play drawing games, such as tic-tac-toe or hangman. Play a guessing game, where one person thinks of a movie, book, place, or phrase, then tries to draw it (no letters allowed!) while the other person tries to guess what it is.
- Use the easel to play school! Have the child be the “teacher” and set up dolls or stuffed animals as “students.” He or she can use the chalkboard to teach the class the ABCs, simple math problems, or to write “homework” assignments!

ADDING PAPER

The Deluxe Art Easel holds easel paper rolls up to 18 inches wide.

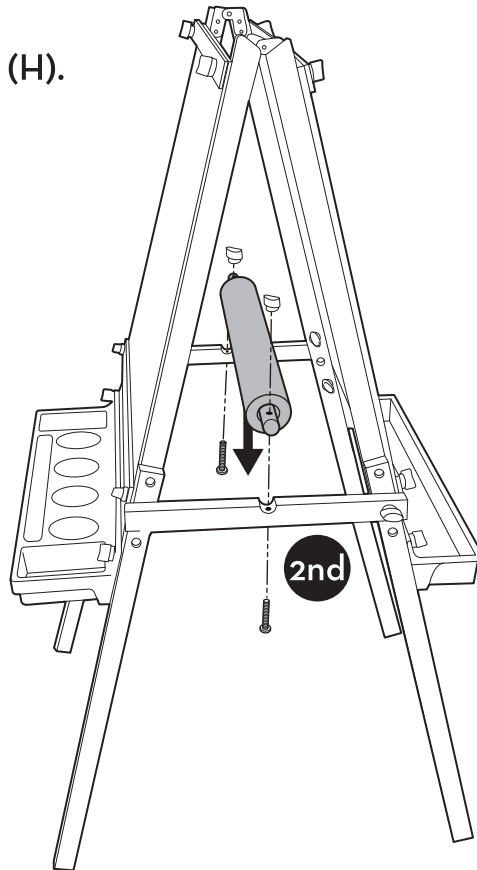
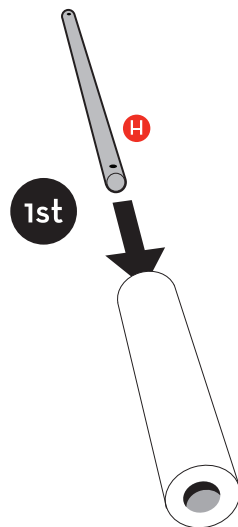
STEP 1

Unscrew the bolt caps (P) between the art boards to remove the paper roll dowel (H).



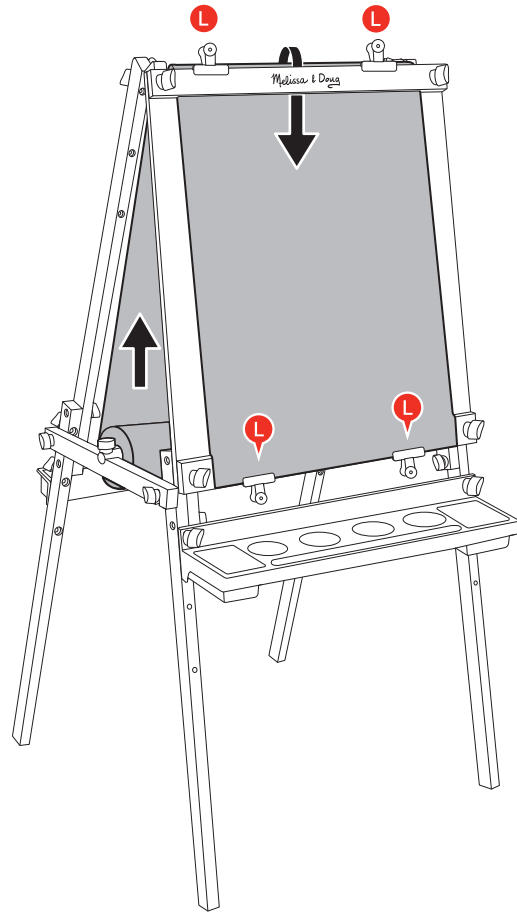
STEP 2

- Slide paper roll (not included) onto the dowel (H).
- Reattach dowel to easel.



STEP 3

- Feed the paper up between the art boards and back down the front between the dry-erase board and the paper guide/cutter.
- Use the plastic clips (L) at the top and the bottom to hold the paper in place.



ACCESSORIZE

The Melissa & Doug Easel Accessory Set (#4145) has everything needed to get started with the Deluxe Art Easel.



It includes poster paints, paintbrushes, spill-proof paint cups with lids, dry-erase marker, jumbo chalk sticks, felt eraser, and an easel paper roll.

For this and other art essentials, such as paper rolls, smocks, drop cloth, crayons, markers, paints, and much more, visit us at MelissaAndDoug.com!

