



Euromaid

User Manual

CPT6S - 60cm Pyramid Canopy Stainless Steel

CPT6MB - 60cm Pyramid Canopy Matte Black

CPT9S - 90cm Pyramid Canopy Stainless Steel

CPT9MB - 90cm Pyramid Canopy Matte Black



CONTENTS

SAFETY INSTRUCTIONS.....	4
Important.....	4
Warning.....	4
Safety Precautions	5
Unpacking.....	5
Caution!.....	5
INSTALLATION.....	6
Specifications.....	6
Included in the Box	7
Electrical Connection.....	7
Recommended Clearances.....	8
Ducting Options	8
Rangehood Installation (Ducted Method)	9
Rangehood Installation (Recirculating Method)	11
Carbon Installation and Changeover (Recirculating Mode Only).....	14
OPERATION.....	15
Controller Layout.....	15
Operating the Rangehood.....	15
Setting the Countdown Timer	15
MAINTENANCE & CLEANING.....	16
Cleaning the Rangehood.....	16
Cleaning the Filters.....	16
LED Lamps	16
Troubleshooting	17
Disposal	17
SPECIFICATIONS.....	18
MANUFACTURER GUARANTEE.....	19
NOTES.....	21

SAFETY INSTRUCTIONS

This rangehood must only be installed in accordance with the instructions provided. Incorrect installation may cause harm to persons, damage property and void the product's warranty. This rangehood complies the safety standard AS/ NZS60335.2.31 and AS/NZS 60335.1

Important

- Please ensure that you read the entire instructions before beginning the installation of your rangehood.

Warning

All electrical work must be done in accordance with local and national electrical codes as applicable and should be undertaken by licensed and qualified persons only.

- This rangehood is designed for domestic household use only.
- This appliance is not intended to be used by children, or persons with reduced physical, sensory or mental capabilities, or lack of experience and knowledge, unless they have been given supervision or instruction concerning the use of the rangehood by a person responsible for their safety.
- Young children should be supervised to ensure that they do not play with the appliance.
- You must read the instructions concerning the method and frequency of cleaning. Important! There is a risk of fire if cleaning isn't carried out in accordance with the instructions.
- Do not check the status of the filters while the Range Hood is operating.
- Do not touch bulbs or adjacent areas, during or straight after use.
- CAUTION: Accessible parts may become hot when used with cooking appliances.
- Constantly check food frying, overheated oil may become a fire hazard.
- Disconnect the electrical plug prior to any maintenance.
- Never flambé under the rangehood.
- Exhaust air must not be discharged into an existing flue which is used by other appliances for exhausting fumes.
- If the power supply cord of this rangehood is damaged in any way, it must only be replaced by one of our authorised service agents. Please call or email our customer service team for further assistance. Contact details can be found on the back of this user manual.
- Your new rangehood is guaranteed against electrical or mechanical defects, subject to certain exclusions that are noted in the Warranty Terms and Conditions (at the rear of this user manual). The foregoing does not affect your statutory rights.
- The use of this rangehood for any other purpose or in any other environment, without our express agreement, will invalidate any warranty or liability claim.
- No modifications to the appliance are permitted.
- Repairs may only be carried out by authorised service agents.
- Cleaning of the rangehood should be carried out on a regular basis.

Safety Precautions

- Take care when the Range Hood is operating simultaneously with an open fireplace or burner that depend on natural ventilation as the Range Hood removes air from the room, which a burner or fireplace may need for combustion.
- Provide adequate ventilation for safe operation of the Rangehood.
- Follow any local laws that apply to external air evacuation.
- Before connecting to the electricity network:
- Look at the data plate (located inside the appliance) to ascertain that the voltage and power correspond to the available power supply and the power outlet is suitable. If in doubt, ask a qualified electrician.
- If the appliance is used intensively for a long period of time, you may need to open a window to improve airflow.
- The minimum distance between the cooktop hob and the lowest part of the rangehood shall be at least 60cm. If the instructions for installation of the gas hob specify a greater distance, this must be taken into account.
- Regulation concerning the discharge of air has to be fulfilled.
- 60cm rangehoods can only be installed above hobs with 4 or less burners / elements.
- 90cm rangehoods can only be installed above hobs with 6 or less burners / elements.

Unpacking

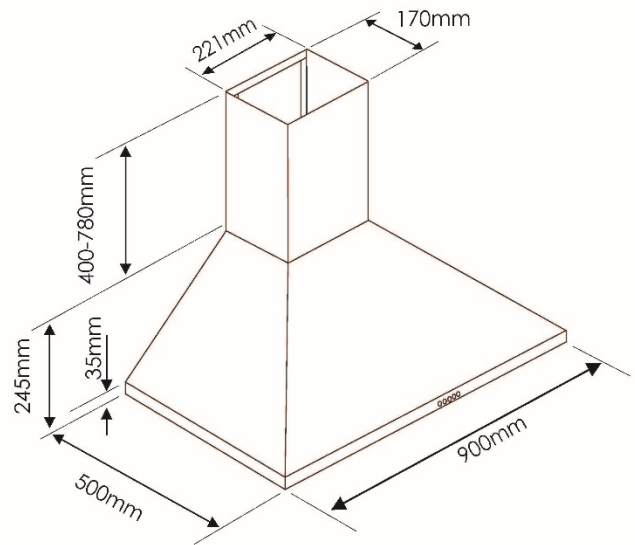
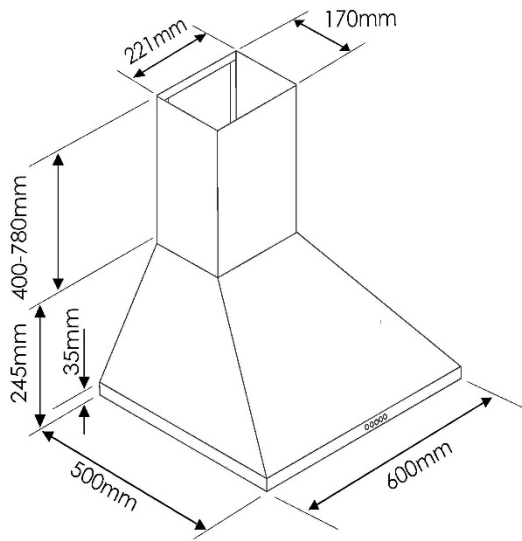
During transportation, protective packaging was used to protect the appliance against any damage. After unpacking, please dispose of all elements of packaging in a way that will not cause damage to the environment. All materials used for packaging the appliance are environmentally friendly; they are 100% recyclable and are marked with the appropriate symbol.

Caution!

During unpacking, the packaging materials (polythene bags, polystyrene pieces, etc.) should be kept out of reach of children

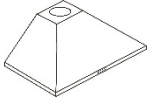

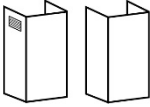


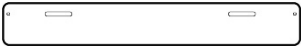

INSTALLATION

Specifications



	CPT6S / CPT6MB	CPT9S / CPT9MB
Product Width	600mm	900mm
Product Depth	500mm	500mm
Product Height	645 - 1025mm	645 - 1025mm
Weight	7kg	9kg
Extraction	700m ³ /h	700m ³ /h
Lighting	1 x LED	2 x LED's
Filter Qty & Type	2 x Baffle	3 x Baffle

Included in the Box

1 x Rangehood		1 x Wall Bracket (Rangehood)	
1 x Main Flue (Outer) 1 x Extension Flue (Inner)		1 x Flue Extension Bracket	
1 x User Manual		1 x Stability Bracket (Main Flue)	
		1 x Packet of fasteners, wall plugs and safety screws	

Electrical Connection

Assembly and electrical connections must be carried out by an authorised service agent.

The Range Hood is fitted with a power cord and a 3-pin plug. Install the Range Hood so that the plug is easily accessible.

Plug the 3-pin plug into a properly earthed, 10A general purpose power outlet.

If the supply cord is damaged, it must be replaced by the manufacturer or its service agent or a similarly qualified person in order to avoid a hazard.

The appliance has been manufactured as a class 1 therefore earth cable is necessary.

The connection to the mains is carried out as follow:

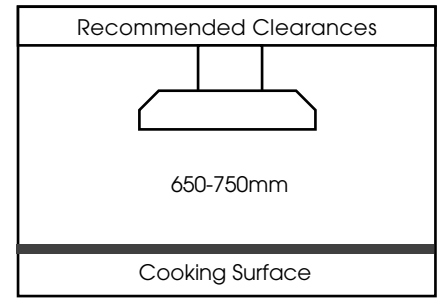
	IEC227
L = Live	Brown
N = Neutral	Blue
E = Earth	Green/Yellow

If not provided, connect a plug for the electrical load indicated on the description label. Where a plug is provided, the cooker hood must be installed so that the plug is easily accessible after installation.

An omni polar switch with a minimum aperture of 3mm between contacts, in line with the electrical load and local standards, must be placed between the appliance and the network in the case of direct connection to the electrical network.

Recommended Clearances

Install the Range Hood in accordance with the manufacturer's instructions. For optimum performance, we recommend that all Range Hood clearances be a minimum of 650mm to a maximum of 750mm between the top of the cooking surface to the underside of the Range Hood. The distance may be reduced to 600mm to align with AS/NZS 5601.



WARNING: DO NOT penetrate any screws into the range hood as this may result in electrical hazards.

WARNING: Failure to install the screws or fixing device in accordance with these instructions may result in electrical hazards.

If a connection flue composed of two parts is used, the upper part must be placed outside the lower part.

Exhaust air must not be discharged into a flue which is used for exhausting fumes from appliances burning gas or other fuels.

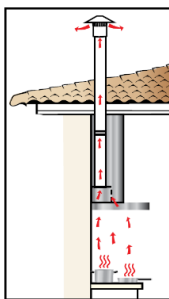
Installation must comply with any local regulations concerning the discharge of exhaust air.

Before proceeding with the assembly, remove the anti-grease filter so that the unit is easier to handle. Prepare the hole in the ceiling or wall for the extraction of the air.

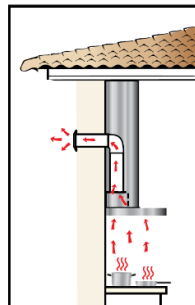
Ducting Options

Before beginning the installation of your rangehood, the method of ducting should be determined. The guide below illustrates the various ducting options to be considered.

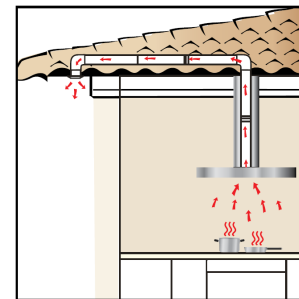
Note: This series of rangehoods can be fitted with charcoal filters which absorb the odour and grease and allow for air to be recirculated back into the room although it is still recommended to duct to the outside atmosphere wherever possible.



Ducting out through the roof



Ducting out through the wall



Ducting out through the eave

Further to the above ducting options, please follow the below tips to correctly duct your rangehood.

- Use cylindrical ducting and ensure the diameter matches the rangehood outlet
- Always use non-flammable ducting
- Always duct to the outside atmosphere
- Avoid sharp 90 degree bends as much as possible, use 45 degree bends instead.
- Do not duct into the ceiling space.

Rangehood Installation (Ducted Method)

Check the area where the range hood is to be fitted, to ensure that it is structurally sound and will support the weight of the appliance. Do not install direct onto plaster board using 'Wall mates' or other similar anchors.

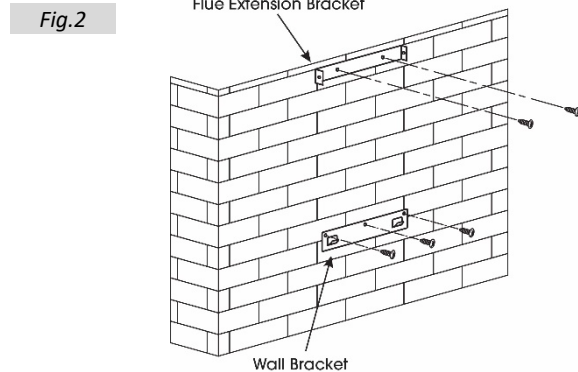
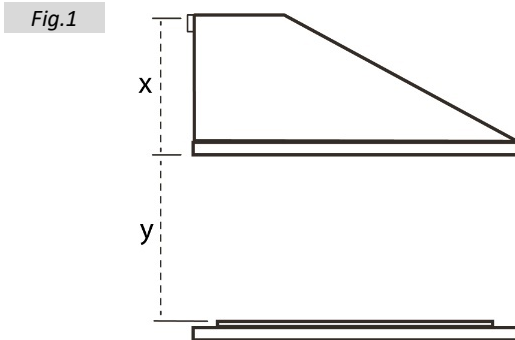
Range hood must be fixed into studs or noggins in the wall to ensure it is secure and minimize vibration in the wall.

For various installation types, use screws and screw anchors suited to the type of wall (e.g. reinforced concrete, plasterboard, etc.). If the screws and screw anchors are provided with the product, check that they are suitable for the type of wall on which the hood is to be fixed.

1. Locate the position and height of where the mounting bracket will be fixed to.

This will be a combination of the distance between the bottom of the rangehood and the cooktop (y) and the distance from the base of the rangehood to the top of the mounting holes (x) (refer *Fig. 1*)

2. Fix the wall bracket to the wall at 3 points using suitable anchors and screws and mount the flue extension bracket directly above at the very top of the wall (refer *Fig. 2*).



3. Directly above the flue extension bracket, cut a 155mm diameter hole in the ceiling for ducting to pass through. The edge of the hole should start no further than 10mm away from the wall to ensure it is covered by the flue extension, once in place.
4. Feed 150mm ducting down through the hole in the ceiling and leave loose until ready to connect to the spigot on the rangehood.

5. Hang the rangehood on the wall by tilting it on a slight angle and lifting it onto the bracket so that protruding hooks interlock with the mounting holes at the top of the rangehood (refer Fig. 3).
6. Slide the flue extension into the main flue and fix the stability bracket to the main flue (refer Fig.4).

Fig.3

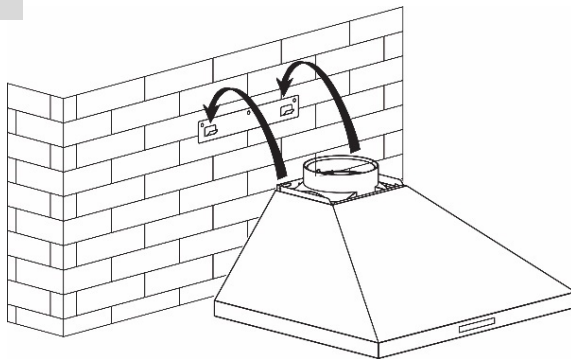
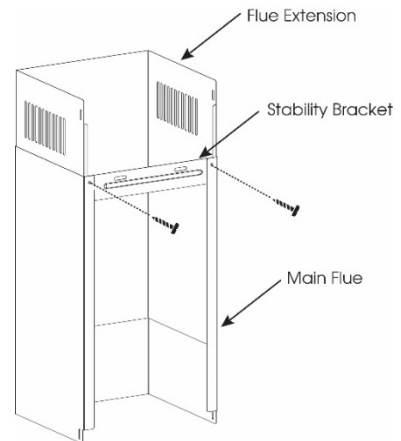


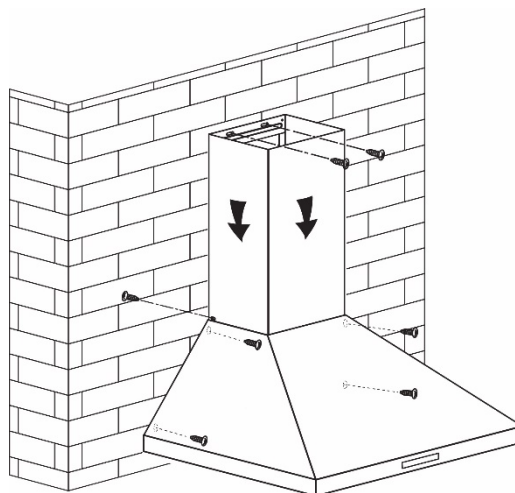
Fig.4



7. Place the flue set onto the rangehood and feed the ducting through and connect onto the spigot of the rangehood and secure with a cable tie or duct tape.
8. The main flue piece can now be secured to the rangehood with the included fixing screws.

Next secure the stability bracket and the rangehood to the wall via internal mounting holes. Ensure suitable anchors and screws are used to secure both the stability bracket and the rangehood (refer Fig.5).

Fig.5



9. Plug in the rangehood to a pre-existing GPO. If a GPO is required, ensure one is installed by a qualified electrician and is placed within the dimensions of the flue, so it is hidden from view.

Finally slide the upper flue (extension) up into place and secure to the bracket installed in step 2.

Rangehood Installation (Recirculating Method)

Note: IA150BRSK Recirculation kit is required for the below steps

Check the area where the range hood is to be fitted, to ensure that it is structurally sound and will support the weight of the appliance. Do not install direct onto plaster board using 'Wall mates' or other similar anchors.

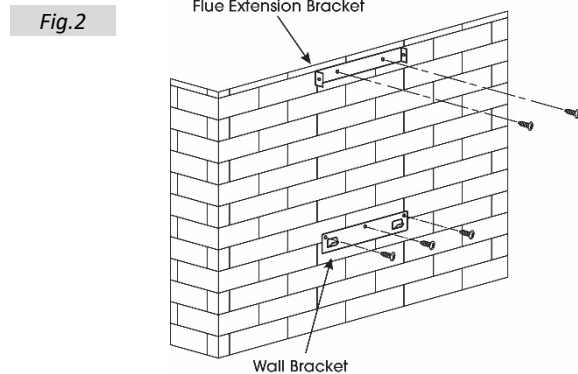
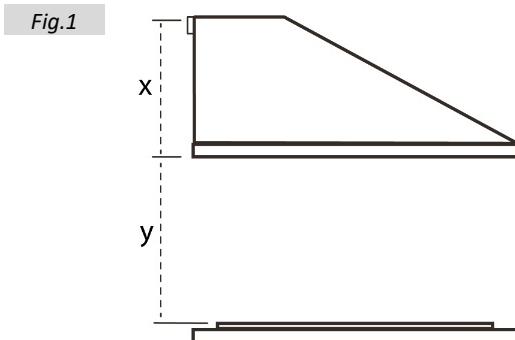
Range hood must be fixed into studs or noggins in the wall to ensure it is secure and minimize vibration in the wall.

For various installation types, use screws and screw anchors suited to the type of wall (e.g. reinforced concrete, plasterboard, etc.). If the screws and screw anchors are provided with the product, check that they are suitable for the type of wall on which the hood is to be fixed.

1. Locate the position and height of where the mounting bracket will be fixed to.

This will be a combination of the distance between the bottom of the rangehood and the cooktop (y) and the distance from the base of the rangehood to the top of the mounting holes (x) (refer *Fig. 1*)

2. Fix the wall bracket to the wall at 3 points using suitable anchors and screws and mount the flue extension bracket directly above at the very top of the wall (refer *Fig. 2*).



3. Hang the rangehood on the wall by tilting it on a slight angle and lifting it onto the bracket so that protruding hooks interlock with the mounting holes at the top of the rangehood (refer Fig. 3).
4. Attach the flexible ducting included with the recirculation kit to the spigot of the rangehood and secure with a cable tie.

On the opposite end, attach the T-Shape air deflector and secure with a cable tie (refer Fig.4).

Fig.3

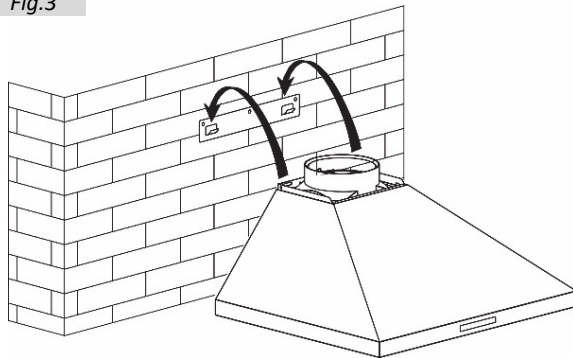
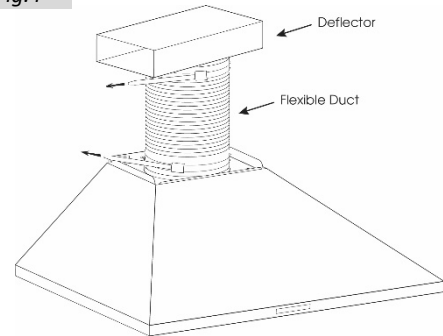


Fig.4



5. Slide the flue extension into the main flue and fix the stability bracket to the main flue (refer Fig.5).
6. Place the flue set onto the rangehood and secure with the included fixing screws.

Next secure the stability bracket and the rangehood to the wall via internal mounting holes. Ensure suitable anchors and screws are used to secure both the stability bracket and the rangehood (refer Fig.6).

Fig.5

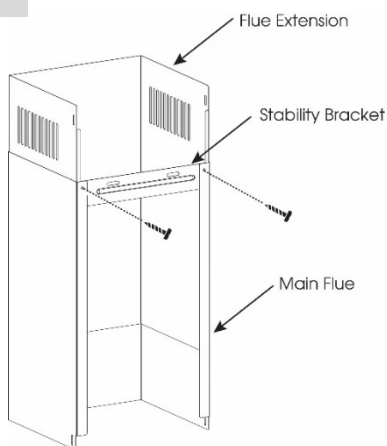
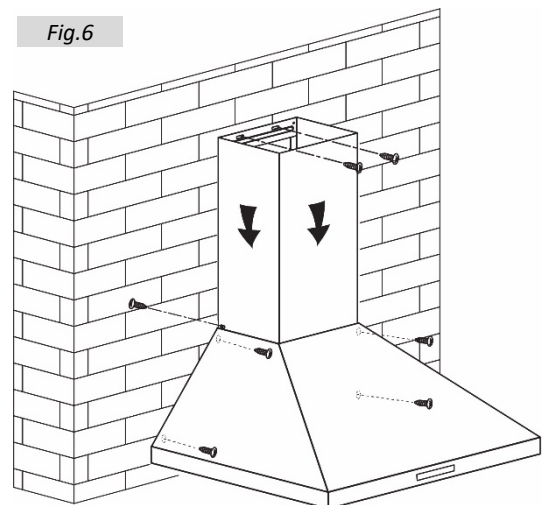
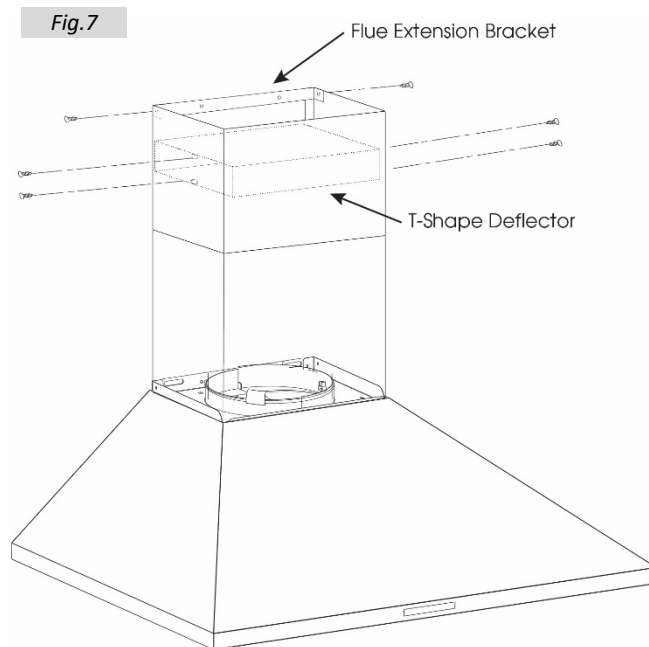


Fig.6



10. Plug in the rangehood to a pre-existing GPO. If a GPO is required, ensure one is installed by a qualified electrician and is placed within the dimensions of the flue, so it is hidden from view
11. Raise the deflector and connected ducting up towards the top of the flue extension and secure with 2 fixing screws on each side.

Finally slide the upper flue (extension) up into place and secure to the bracket installed in step 2 (refer Fig. 7)



Carbon Filter Installation and Changeover (Recirculating Mode Only)

Note: CF110 Carbon Filter set is required for the below steps.

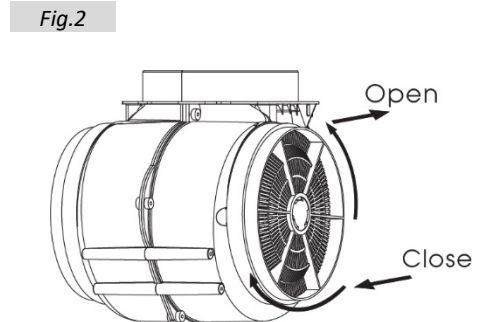
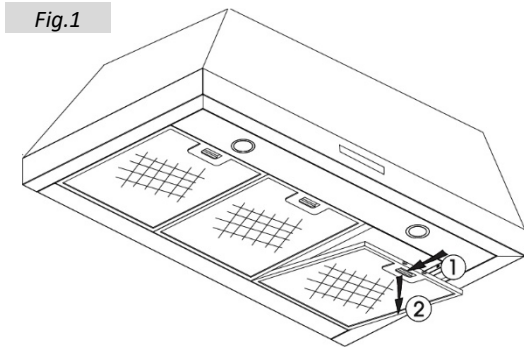
If the recirculating installation is utilised then carbon filters must be fitted to aid in the removal of grease, smoke and cooking odours from the air before it is recirculated into the room.

The round carbon filters attach to each side of the motor.

Detailed instructions for fitting and replacing the carbon filters can be found below.

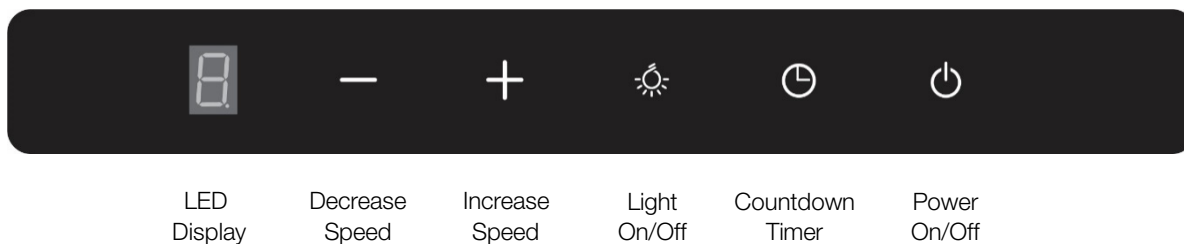
We recommend replacing the carbon filters every 3-4 months or sooner, depending on how frequently the rangehood is used, otherwise the performance of the rangehood can be impeded.

1. Push the handle of the baffle filters towards the rear of the rangehood until they're released from the housing and then remove them and set aside (refer Fig.1)
2. Remove the old carbon filters (if fitted) by twisting them anti-clockwise until they unlatch from the sides of the motor (refer Fig.2)
3. Position the new carbon filter onto the side of the motor ensuring the central groove point is lined up with protruding tongue on the motor housing
4. Twist the carbon filter clockwise until it clicks into place (refer Fig.2).
5. Repeat for the other filter.
6. Re-insert the baffle filters (set aside in step 1) into the housing ensuring they click into place (refer Fig.1).



OPERATION

Controller Layout



Operating the Rangehood

NOTE: It is recommended to start the Range Hood prior to commencing to cook and leave the Range Hood in operation for 15 minutes after cooking is finished in order to eliminate cooking vapours and odours.

1. Turn the rangehood on by pushing the **POWER** button. Operation will begin on Speed 1 and this will be indicated on the LED display.
2. To increase the speed, push the **INCREASE SPEED** button to adjust the rangehood to Speed 2 or 3. This will be indicated on the **LED** display.
3. To decrease the speed, push the **DECREASE SPEED** button to adjust the rangehood to Speed 1 or 2. This will be indicated on the **LED** display.
4. To operate the lights, push the **LIGHT** button. To switch off, push the **LIGHT** button again. The lights can also be turned on when the rangehood is not in operation.
5. To turn off the rangehood, push the **POWER** button and the motor will cease operation.

Setting the Countdown Timer

The rangehood features a countdown timer that will automatically turn off the motor and the lights after a set period of time. The timer has a fixed duration of 5 minutes.

1. Whilst the rangehood is switched on and the motor is running, push the **COUNTDOWN TIMER** button. The **COUNTDOWN TIMER** button will light up.
2. After a period of 5 minutes, the motor and lights will turn off. To cancel the timer before the time elapses, press the **COUNTDOWN TIMER** button again and the light will go out.

MAINTENANCE & CLEANING

Cleaning the Rangehood

To ensure the Range Hood continues to operate effectively, regular maintenance and cleaning is required.

Before maintenance or cleaning is carried out, the cooker hood should be disconnected from the mains power supply. Ensure that the cooker hood is switched off at the wall socket and the plug removed.

Clean the internal surfaces of rangehood, in particular each side of the motor and around the perimeter and channel that the filters sit in. A soft cloth moistened with warm water or non-abrasive liquid detergent should be used.

Never use a scourer or abrasive cloth as the stainless steel and/or paint applied to the surface could be damaged.

Cleaning the Filters

The baffle filters capture the grease particles suspended in the air, and are therefore subject to build up and should be cleaned regularly to ensure optimal efficiency

In order to prevent fire hazard, it is recommendable to clean the filter at a minimum of every 2 months by carrying out the following instructions:

- Remove the filters from the cooker hood and wash them in a solution of water and neutral liquid detergent, leaving to soak.
- Rinse thoroughly with warm water and leave to dry.

The filters may also be washed in the dishwasher.

If the dishwasher method is selected, the following parameters should be met in order to achieve a sufficient clean and prevent discolouration of the filters.

- The bottom basket is utilised
- Filters are placed within the plate holders, so they upright during the wash cycle.
- Select a heavy-duty wash program with a water temperature of 65 degrees or more.
- Avoid the use of dishwashing powder as this may lead to discolouration of the filters

LED Lamps

LED lamp assemblies are a spare part and are not repairable or replaceable by the customer. If an LED lamp fails, it must be replaced by a suitably qualified technician.

Please contact Glen Dimplex after sales service via the details on the back of this user manual for any service enquires.

Troubleshooting

Fault	Possible Cause	Solution
Lights on but motor is not working.	Motor has failed.	Contact service agent.
	Possible PCB issue.	Contact service agent.
	Fan is obstructed.	Disconnect power and clear and obtrusions.
Lights and motor not working.	House fuses blown	Reset/Replace fuses.
	Mains power cable is loose or disconnected	Refit mains power cable to power outlet. Switch power outlet on.
Lights not working	Broken or faulty LED's	Contact service center.
Insufficient suction	The distance between the rangehood and the cooktop is too far	Refit the rangehood to the correct distance. A gap between 650 -750mm is recommended.
	Current speed is not providing enough extraction for what is being cooked.	Increase speed as required
	Ducting is obstructed or not vented to the outside atmosphere	Check ducting is pulled tight and there are minimal bends and it is exiting the external roof.
	Charcoal filters are at capacity and need to be replaced.	Order new filters and replace as required.
The rangehood is tilted forward	Rangehood is not secured correctly	Recheck and secure rangehood to timber stud or noggin with suitable fixing.

Disposal



By ensuring this product is disposed of correctly, you will help prevent potential negative consequences for the environment and human health, which could otherwise be caused by inappropriate waste handling of this product.

The symbol on the product indicates that this product may not be treated as household waste. Instead it shall be handed over to the applicable collection point for the recycling of electrical and electronic equipment.

Disposal must be carried out in accordance with local environmental regulations for waste disposal.

For more detailed information about treatment, recovery and recycling of this product, please contact your local city council

SPECIFICATIONS

	CPT6S / CPT6MB	CPT9S / CPT9MB
Duct Outlet Size	150mm	
Carbon Filter	CF110 (Sold Separately)	
Recirculating Kit	IA150BSRK (Sold Separately)	
Flue Extension	IAPXMBE1 - 900mm Extension (Sold Separately)	
Voltage	220 - 240 V ~ /50Hz	
Light Power	1 x 1.5W	2 x 1.5W
Motor Power	190W	
Total Power	191.5W	193W
Power Connection	10A Plug	
Power Cord Length	1.4m	
Boxed Dimensions (W x D x H)	660 x 310 x 560mm	960 x 310 x 560mm
Unit Dimensions (W x D x H)	600 x 500 x 645 - 1025mm	900 x 500 x 645 - 1025mm
Gross Weight	9kg	11kg
Net Weight	7kg	9kg

MANUFACTURER GUARANTEE

This warranty is provided in Australia by Glen Dimplex Australia Pty Limited ABN 69 118 275 460 (Phone number 1300 556 816) and in New Zealand by Glen Dimplex New Zealand Limited NZBN 9429000069823 (Phone number 09 274 8265) in respect of the **Euromaid** product.

1. Euromaid Express Warranty

Subject to the exclusions below, we warrant that the product will not have any electrical or mechanical breakdowns within:

- a. In the case of **Euromaid** products used for personal, domestic or household purposes, a period of **2 years** from the date the product is purchased as a brand-new product from a retailer located in Australia / New Zealand.
- b. In the case of **Euromaid** products used for purposes other than personal, domestic or household purposes (including business or commercial use), a period of 90 days from the date the product is purchased as a brand-new product from a retailer located in Australia / New Zealand. **Euromaid** products are designed and intended for domestic use only; and
- c. All warranty repairs must be carried out by Glen Dimplex or their nominated service agent

Note: warranty periods detailed above may vary in line with agreements with select retail and builder partners and may differ between Australia and New Zealand.

The benefits conferred by this express warranty are in addition to the Consumer Guarantees referred to in section 3 and any other statutory rights you may have under the Australian / New Zealand Consumer Law and/or other applicable laws.

2. Warranty Exclusions

This express warranty does not apply where:

- a. The product has been installed, used or operated otherwise than in accordance with the product manual or other similar documentation provided to you with the product;
- b. The product requires repairs due to damage resulting from accident, misuse, incorrect installation, insect or vermin infestation, improper liquid spillage, cleaning or maintenance, unauthorised modification, use on an incorrect voltage, power surges and dips, voltage supply problems, tampering or unauthorised repairs by any persons, use of defective or incompatible accessories or exposure to abnormally corrosive conditions, events independent of human control which occurred after the goods left the control of Glen Dimplex;
- c. The repair relates to the replacement of consumable parts such as fuses and bulbs or any other parts of the product which require routine replacement;
- d. You are unable to provide us with reasonable proof of purchase for the product;
- e. the breakdown occurs after the expiry of the express warranty period set out in section 1 or
- f. the product was not purchased in Australia / New Zealand as a brand-new product.

3. Consumer guarantees

Our goods come with guarantees that cannot be excluded under the Australian / New Zealand Consumer Law. You are entitled to a replacement or refund for a major failure and for compensation for any other reasonably foreseeable loss or damage. You are also entitled to have the goods repaired or replaced if the goods fail to be of acceptable quality and the failure does not amount to a major failure.

4. How to make a claim

You may make a claim under this warranty through our website, contacting our customer care line or via email. Contact details for Glen Dimplex Australia and New Zealand can be found at the end of this document

To make a valid claim under this warranty, you must:

- a. Lodge the claim with us as soon as possible and no later than 14 days after you first become aware of the breakdown;
- b. Provide us with the product serial number;
- c. Provide us with reasonable proof of purchase for the product. This can take the form of a store receipt, new home handover form or other payment receipt documentation; and
- d. If required by us, provide us (or any person nominated by us) with access to the premises at which the product is located at times nominated by us (so that we can inspect the product).

5. Warranty Claims

If you make a valid claim under this warranty and none of the exclusions set out in section 2 apply, we will, at our election, either repair the product or replace the product with a product of identical specification (or where the product is superseded or no longer in stock, with a product of as close a specification as possible).

Goods presented for repair may be replaced by refurbished goods of the same type rather than being repaired. Refurbished parts may be used to repair the goods.

Products are designed and supplied for normal domestic use. We will not be liable to you under this warranty for business loss or damage of any kind whatsoever.

Glen Dimplex Australia Pty Ltd

www.glendimplex.com.au

Australia

Ph: 1300 556 816

customer.care.ha@glendimplex.com.au

Glen Dimplex New Zealand Ltd

www.glendimplex.co.nz

New Zealand

Ph: 09 274 8265

nztechserv@glendimplex.co.nz



A series of 28 horizontal lines spaced evenly down the page, providing a writing area.

READ THE INSTRUCTION BOOKLET BEFORE INSTALLING AND USING THE APPLIANCE.

The manufacturer will not be responsible for any damage to property or to persons caused by incorrect installation or improper use of the appliance.

The manufacturer is not responsible for any inaccuracies, due to printing or transcription errors, contained in this manual. In addition, the appearance of the figures reported is also purely indicative.

The manufacturer reserves the right to make changes to its products when considered necessary and useful, without affecting the essential safety and operating characteristics.

Glen Dimplex constantly seeks ways to improve the specifications and designs of their products.

Whilst every effort is made to produce up to date literature, this document should not be regarded as an infallible guide. Actual product only should be used to derive cut out sizes.

All appliances must be installed by a qualified person/s with adherence to the relevant electrical, plumbing and building codes, with compliance being issued as required by state or national legislation.

Additionally, all upright cookers must have the anti-tilt device installed correctly in adherence to the relevant standards by a licenced installer.

For maximum effectiveness and efficiency all rangehoods should be installed with the use of ductwork, by a licenced installer with adherence to the relevant state and national building codes and regulations.

All Glen Dimplex appliances are for Domestic use only, and must be installed by a licence installer into Domestic Applications only, without exception and to the required Authorities guidelines. Any installation outside of this will VOID warranty. Alfresco areas are not a Domestic application.

Euromaid

Distributed by:

Glen Dimplex Australia Pty Ltd

www.glendimplex.com.au

Glen Dimplex New Zealand Ltd

www.glendimplex.co.nz

For service advice, please contact the Customer Care Centre by phone or email below.

Australia

Ph: 1300 556 816

customer.care.ha@glendimplex.com.au

New Zealand

Ph: 09 274 8265

nztechserv@glendimplex.co.nz